

4

3

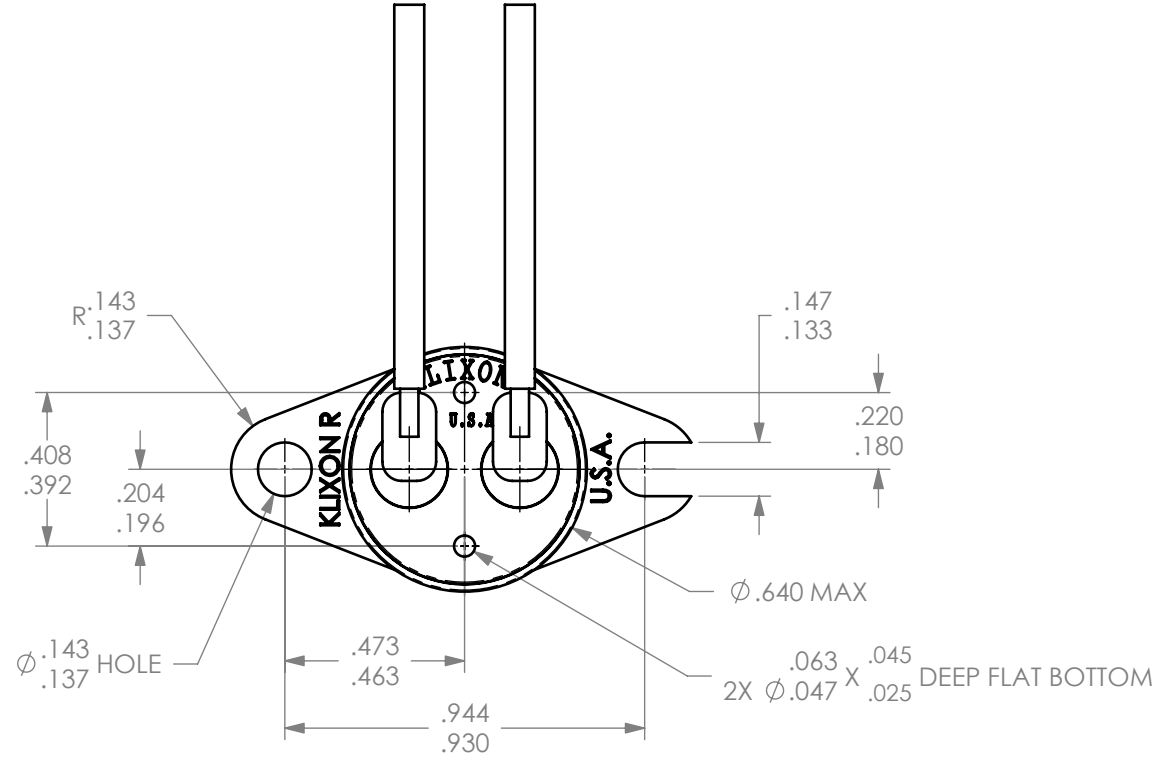
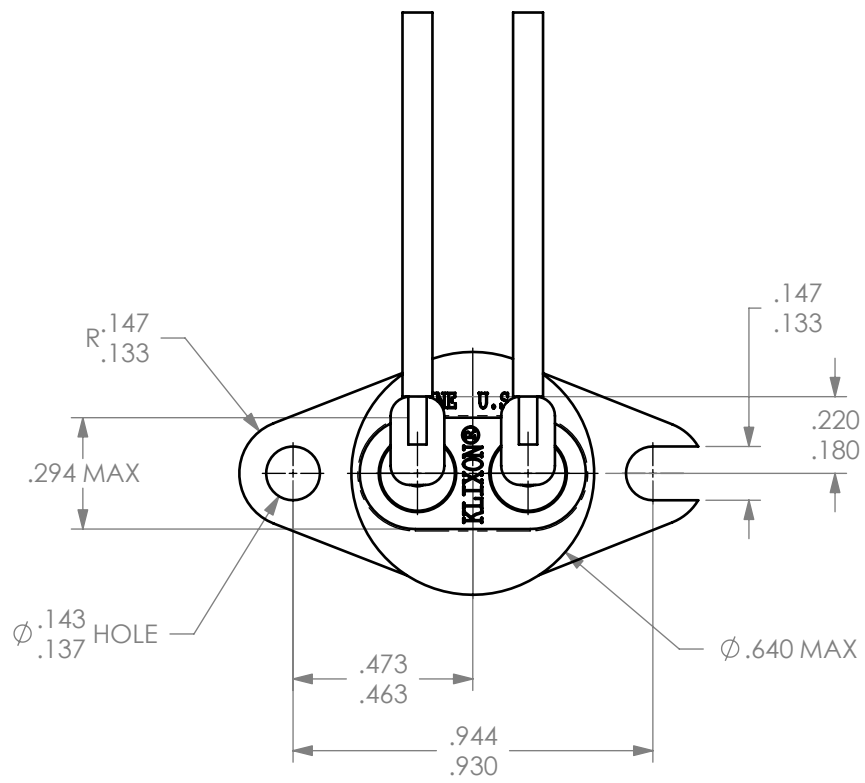
2

1

ZONE	REV.	REVISION DESCRIPTION	ECN NO.	DATE
	B	RE-DOCUMENTED IN SOLIDWORKS & ADDED CONFIGURATION; GML	ECN0032819	12-DEC-2006

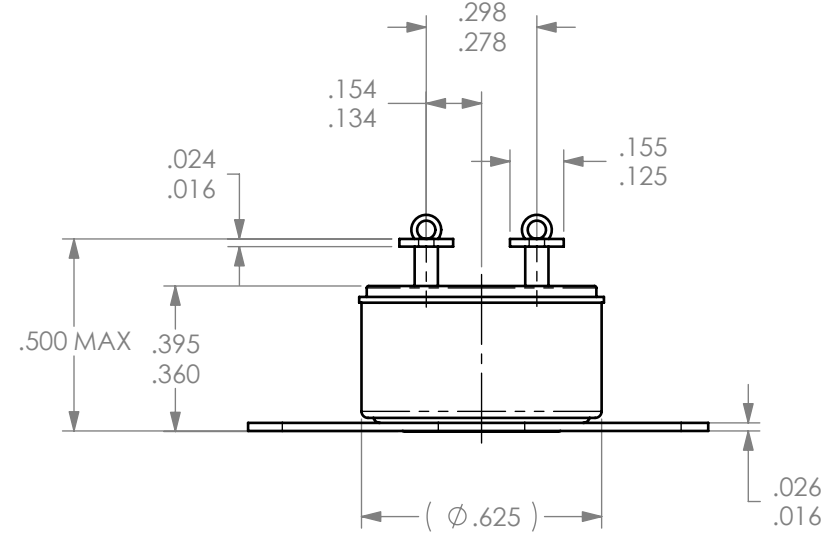
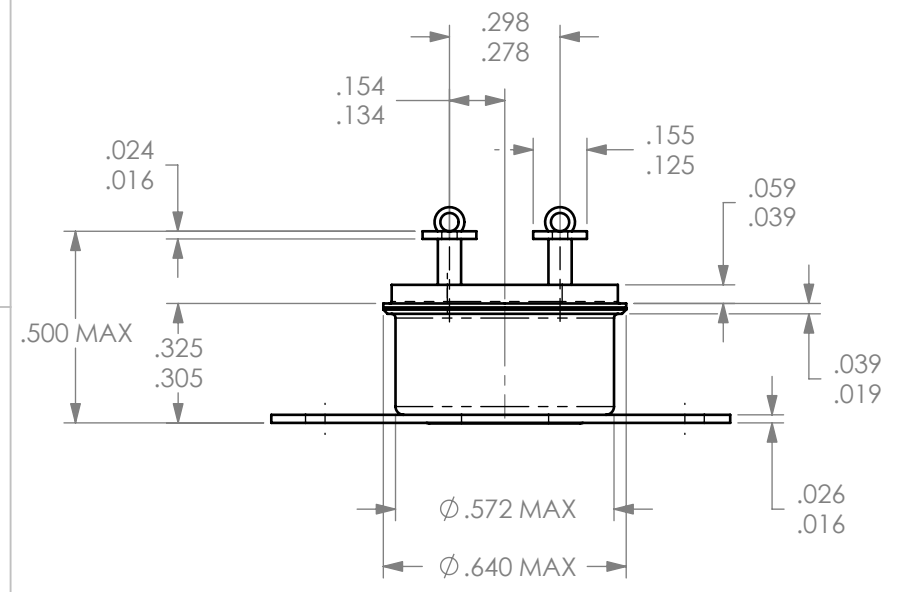
### CONFIGURATION 1

### CONFIGURATION 2



MATERIAL:  
 CONFIGURATION 1: COPPER-NICKEL PLATED CARBON STEEL  
 CONFIGURATION 2: UPLATED 304L STAINLESS STEEL

DIELECTRIC STRENGTH:  
 TERMINAL TO CASE, 1250VAC, FOR 1 MINUTE



FOR REFERENCE ONLY, CHECK LATEST REVISION BEFORE USE. PARTS MADE TO THIS PRINT MUST CONFORM TO E9898 REV. E

DRAWN J.GONZALEZ DATE 30-JAN-1997	NEITHER THIS PRINT NOR THE INFORMATION CONTAINED HEREON IS TO BE USED AGAINST THE INTERESTS OF SENSATA TECHNOLOGIES OR AGAINST THE INTERESTS OF ANY OF ITS AFFILIATED COMPANIES OR WHOLLY OWNED SUBSIDIARIES	UNLESS OTHERWISE SPECIFIED DIMENSIONS ARE IN INCHES TOLERANCES DECIMALS      ANGLES
ENGINEER S. MARQUIS DATE 30-JAN-1997		
APPROVED		
DATE		
APPROVED	THIRD ANGLE PROJECTION	SIZE B
DATE	DO NOT SCALE DRAWING	

 529 PLEASANT STREET P.O. BOX 2964 ATTLEBORO, MA 02703	
TITLE 4344-278 THERMOSTAT SPST AUTO. RESET SEALED ENVELOPE DRAWING	
DWG NO. <b>4344-278</b>	REV. B
SCALE 2:1	SOLIDWORKS SHEET 1 OF 1

4

3

2

1

DEVICE: 4344 PROJECT: 256A