

4

3

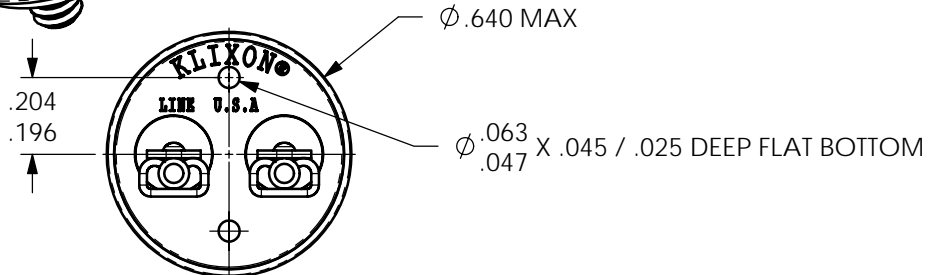
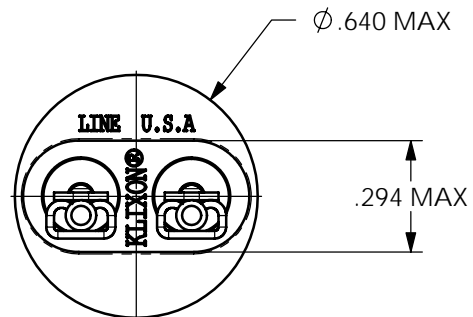
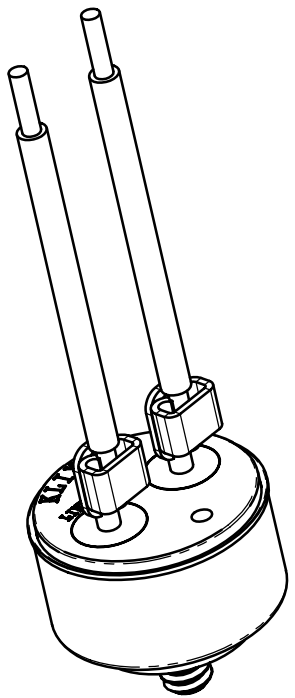
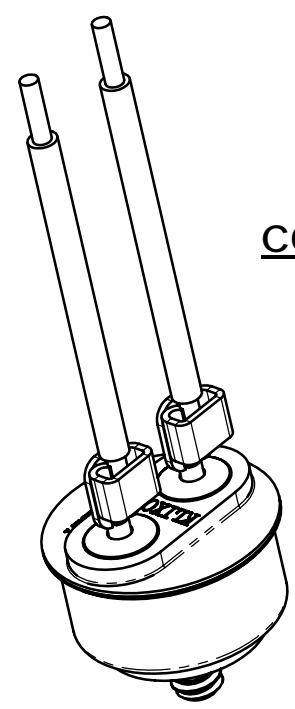
2

1

ZONE	REV.	REVISION DESCRIPTION	ECN NO.	DATE
	A	FIRST ISSUE; PD	ECN0031521	02-OCT-2006

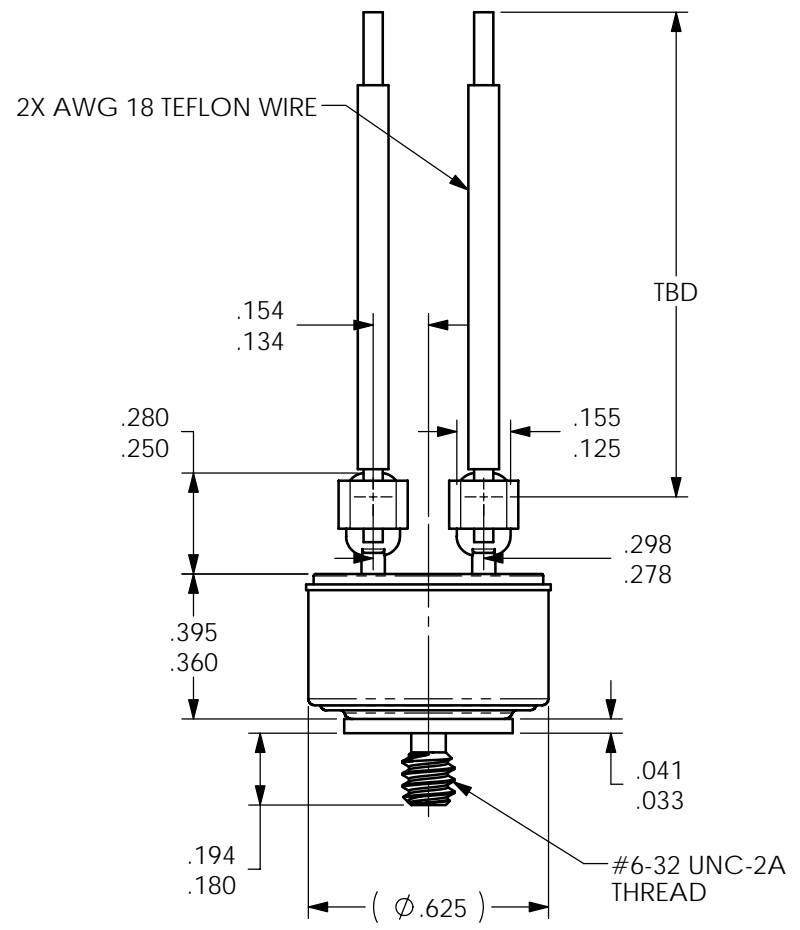
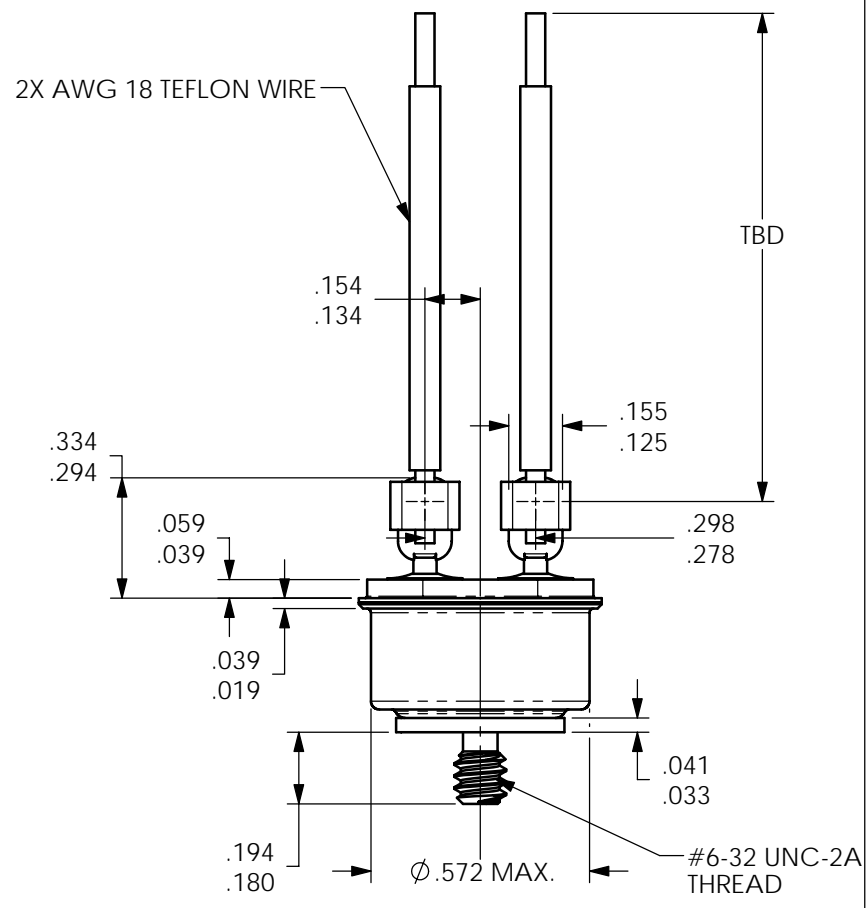
CONFIGURATION 1

CONFIGURATION 2



MATERIAL:
 CONFIGURATION 1: COPPER-NICKEL PLATED CARBON STEEL
 CONFIGURATION 2: UPATED 304L STAINLESS STEEL

DIELECTRIC STRENGTH:
 TERMINAL TO CASE, 1250VAC, FOR 1 MINUTE



FOR REFERENCE ONLY, CHECK LATEST REVISION BEFORE USE. PARTS MADE TO THIS PRINT MUST CONFORM TO E9898 REV. E	
DRAWN PD DATE 02-OCT-2006	NEITHER THIS PRINT NOR THE INFORMATION CONTAINED HEREON IS TO BE USED AGAINST THE INTERESTS OF SENSATA TECHNOLOGIES OR AGAINST THE INTERESTS OF ANY OF ITS AFFILIATED COMPANIES OR WHOLLY OWNED SUBSIDIARIES
ENGINEER S. MARQUIS DATE 02-OCT-2006	UNLESS OTHERWISE SPECIFIED DIMENSIONS ARE IN INCHES TOLERANCES DECIMALS ANGLES
APPROVED P. BERG DATE 02-OCT-2006	
APPROVED D. PETRIE DATE 02-OCT-2006	THIRD ANGLE PROJECTION
	DO NOT SCALE DRAWING

 529 PLEASANT STREET P.O. BOX 2964 ATTLEBORO, MA 02703	
TITLE 4344-106 THERMOSTAT SPST AUTO RESET SEALED ENVELOPE DRAWING	
DWG NO. 4344-106	REV. A
SCALE 2:1	SOLIDWORKS SHEET 1 OF 1

4

3

2

1

DEVICE: 4344 PROJECT: 256A