



Sensata
Technologies



8AM



2AM-4AM

2AM/3AM/4AM/8AM Motor Protectors

KLIXON
®

Proven products backed by the leading innovators in protection technology.

Klixon® automatic motor protectors (AM series) are small, light weight and sensitive to temperature and current. The sealed steel cases will stand most dip and bake processes and can be mounted directly on motor windings for fast detection of temperature changes.

Operation

These on-winding motor protectors feature the Klixon® snapaction bimetallic disc in a normally closed circuit. The disc is actuated by the current passing thru it and the heat conducted from the motor windings. When the temperature reaches a predetermined calibration point corresponding to the maximum specified limit of the windings, the disc snaps open and interrupts the circuit. This permits maximum output while limiting the windings to a specified operating temperature. After the windings have cooled to the normal operating limit, the device resets automatically.

Closed Contacts

Open Contacts



2AM/3AM/4AM wide application range

Available in a range of temperature and current sensitivities, the 2AM is suitable for a wide variety of applications. Designed to be mounted on the windings of electric motors and transformers, the 2AM protects against overheating and electrical overloading, offering the highest standards of safety and long term reliability.

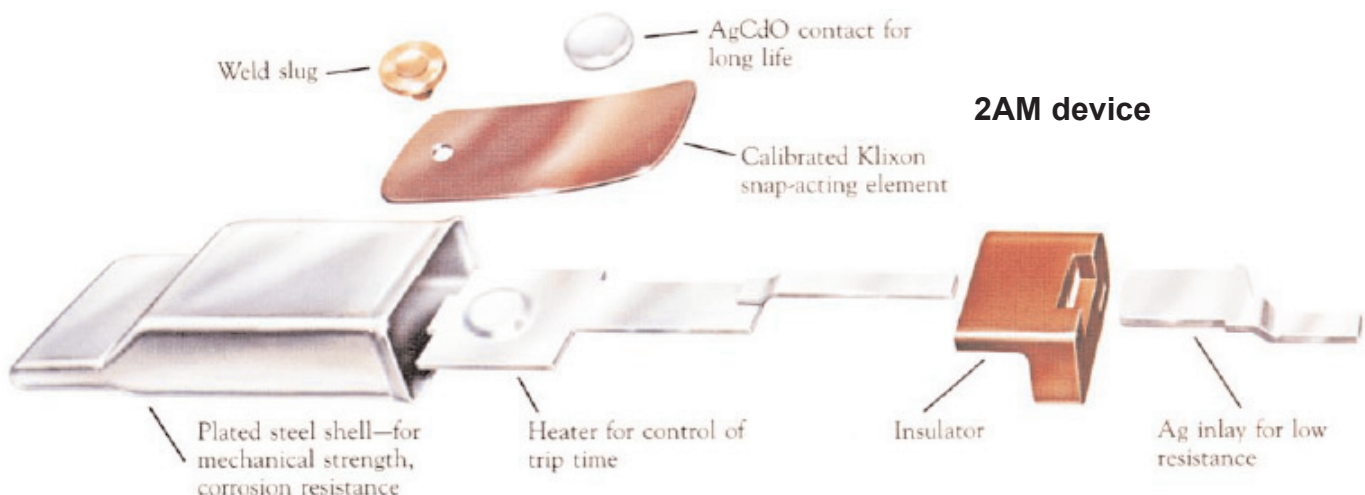
Robust sealed construction

The 2AM's steel case is epoxy sealed and then insulated with a Mylar® sleeve allowing direct mounting on the windings. Robust construction and ability to withstand typical mechanical pressures make the 2AM ideal for installation during the manufacture of electric motors and transformers. Where necessary, additional sealing can be provided to prevent epoxy ingress with specialized impregnation processes.

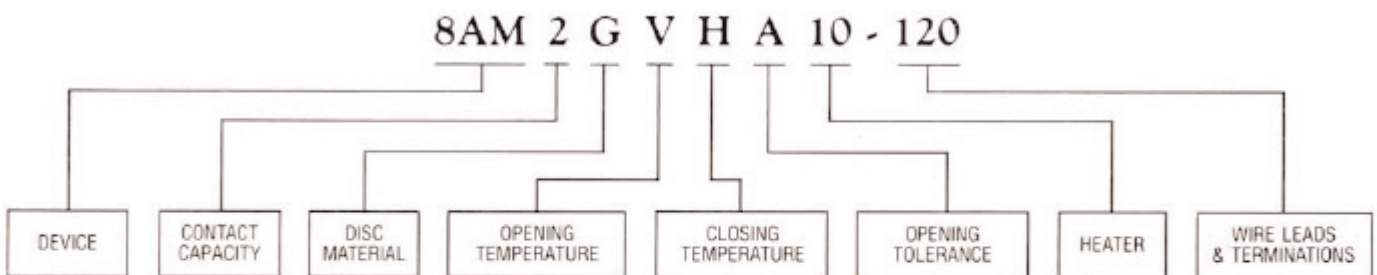
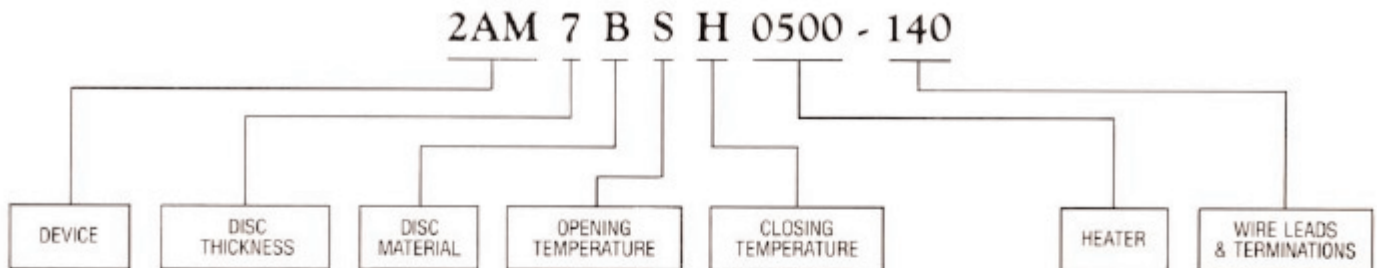
Flexibility

By adding a customized 3rd lead, the standard device becomes a dual circuit 4AM, ideal protection for dual voltage or dual speed applications. For higher horse power applications, the 3AM provides protection for fault conditions up to 60 Amps. With a range of anticipating heaters matching protector to motor from 6 to 60 Amps and operating temperatures from 90 to 150°C, the 2AM series provides unsurpassed design flexibility for motor and transformer applications.

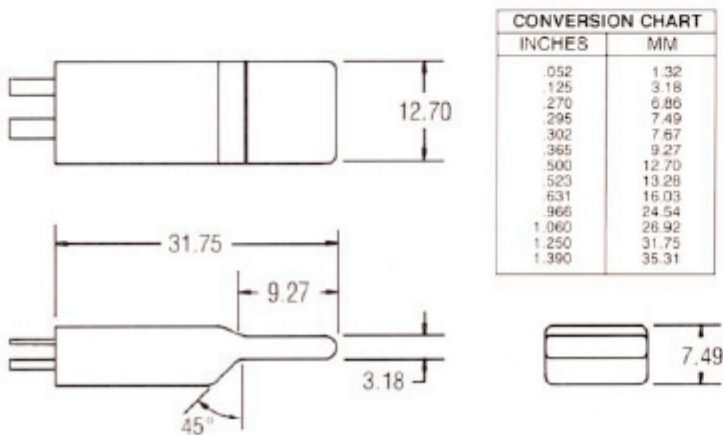
Mylar is registered trademark of Dupont



2AM device

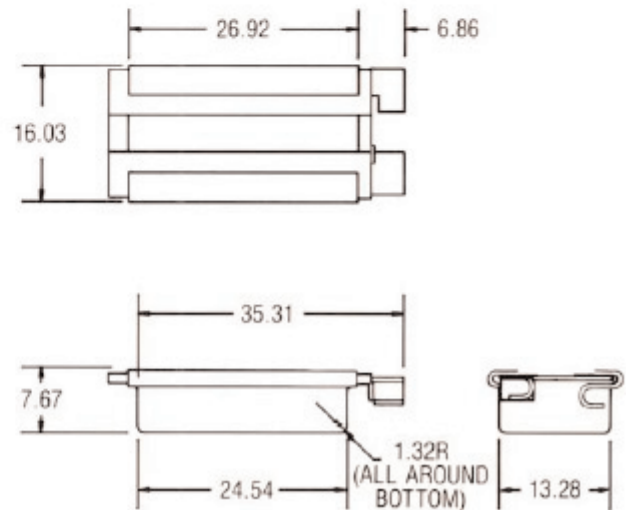


2AM Dimensions



NOTE: Nominal dimensions for reference purposes only (Millimeters)

8AM Dimensions



Certifications

	115V	230V	UL	CSA	ENEC
2AM	50	37	standard 547	File LR23241C	standard EN60730-2-2
3AM	60	45	Guide No. 400-H13-C	Guide No. 184-N-13.90	File 2014531-19
4AM	50	37	File E15962	Class 3211	
8AM1	50		USR		standard EN60730-2-2
8AM2	35		standard UL2111		File 2014531-08
8AM4	60			CNR	standard C22.2 No 77



8AM

Designed specifically for motors with a fast rate of temperature rise (25-35°C/sec), the 8AM provides economical protection for a full range of motors and transformers ranging from washing machines to vacuum cleaners; computer disk drives to high capacity automotive motors.

This unique design is capable of providing all mode protection:

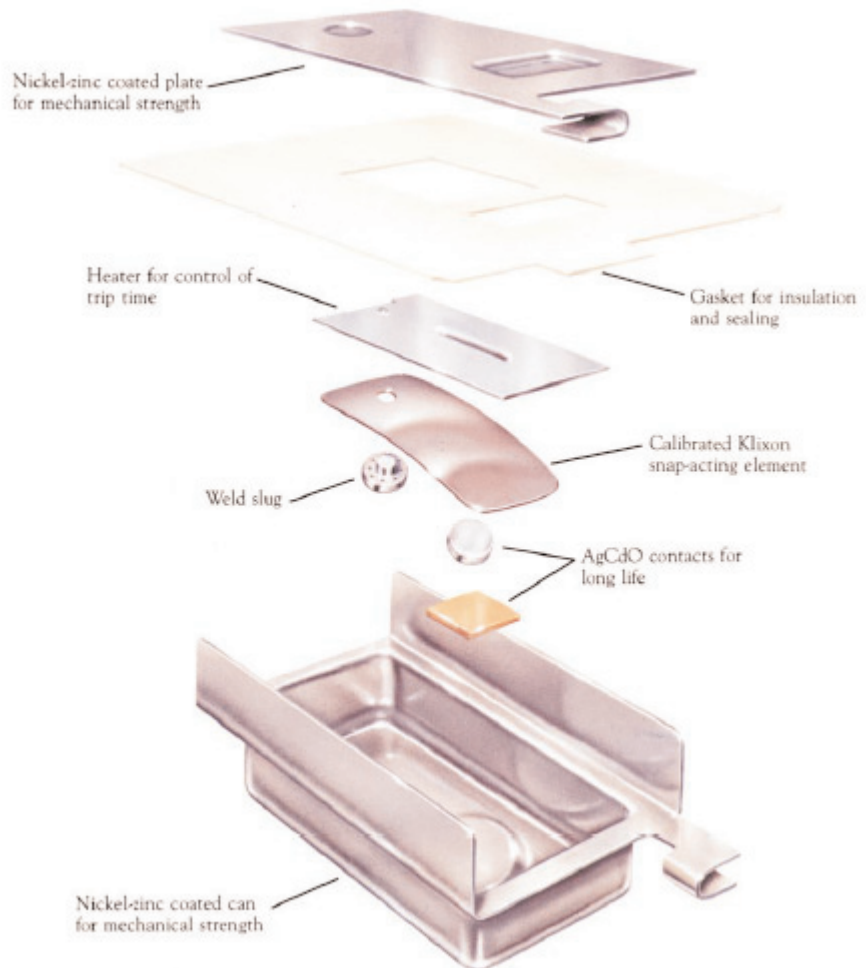
- Locked rotor
- Running overload
- Low voltage
- Run both winding

Here's why you should be using the 8AM protector in your product:

- Compact, easy to install
- Individually temperature calibrated and checked
- Positive make-and-break with Klixon® snapaction disc
- Gasketed steel case suitable for many impregnation processes
- Current and temperature sensitivity for maximum design flexibility
- Specially designed terminals for easy addition of wireleads.

Typical applications:

- Split-phase motors
- Capacitor start motors
- Ballast protection
- Transformers
- Automotive motors
- Solenoids



TECHNICAL / SALES SUPPORT

Holland
Phone +31 546 879560 Fax +31 546 879204
Italy
Phone +39 039 6568310 Fax +39 039 6568316

Internet: www.sensata.com

Email: info-cpe@list.sensata.com